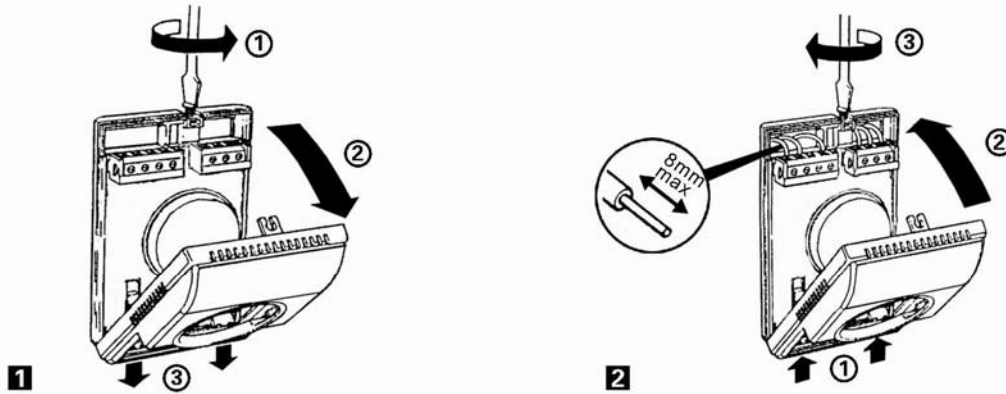
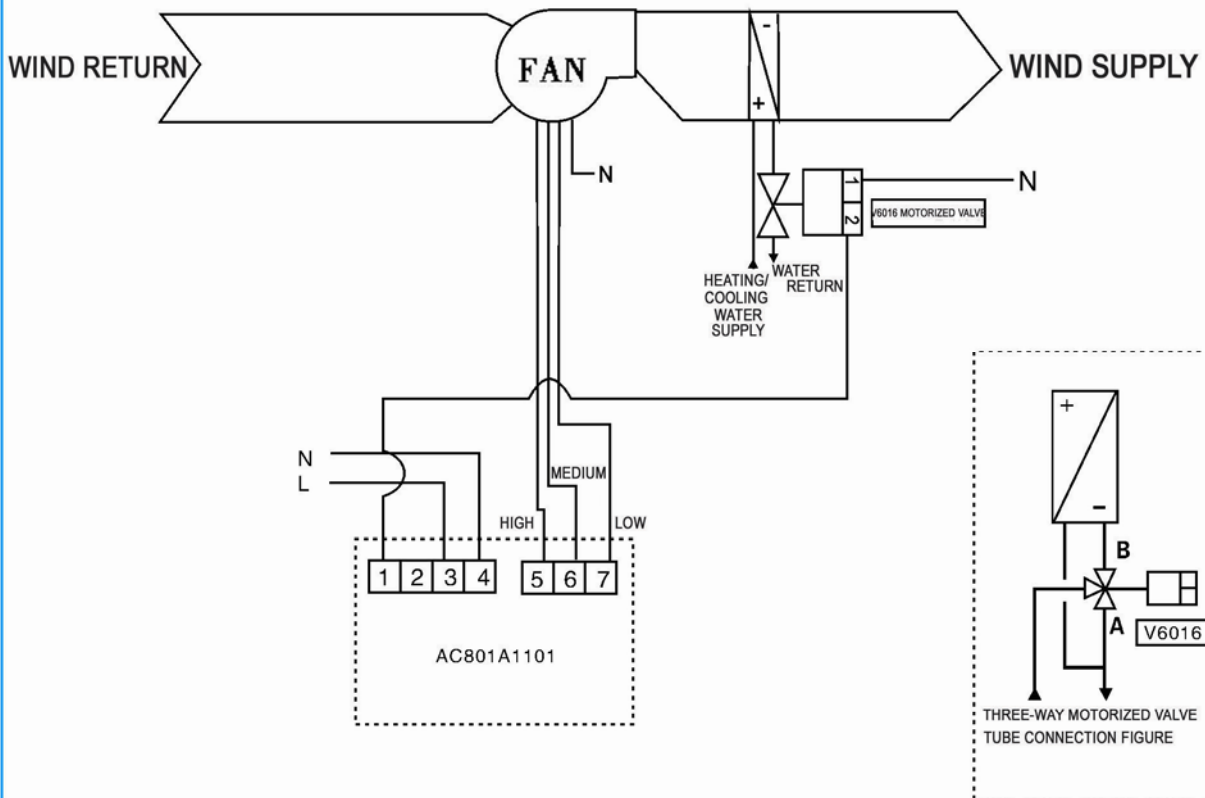


AC801A Thermostat

INSTALLATION



TYPICAL APPLICATION

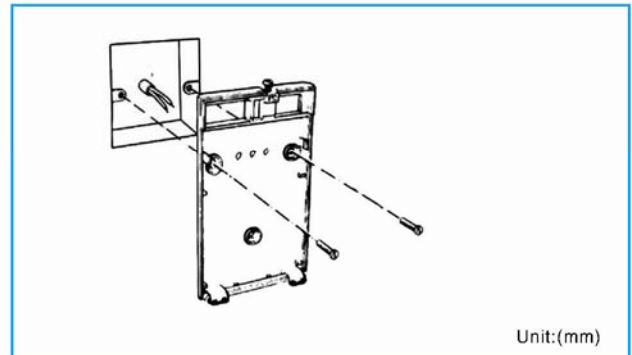
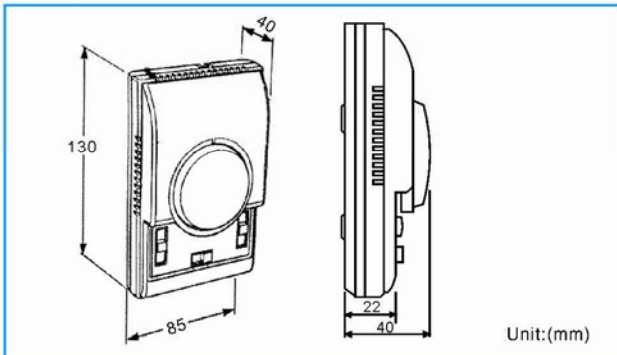


AC801A Thermostat

Technical data:

Rated voltage: 220VAC \pm 10%, 50Hz
 Temperature control manner: Mechanical (Aerator Bilious)
 Constant temperature scope: 10~30°C
 Temperature control precision: \pm 1°C
 Max current: <3A
 Store temperature: -20~55°C, relative humidity <92%
 Appearance Color: Milk white

2. Dimension & Installation sheet



3. Wiring graph

